

O300.ZL-GW1J.72N

Diffuse sensors with intensity difference

Article number: 11176840

Overview

- intensity difference
- 10 ... 250 mm
- pulsed red laser diode
- push-pull
- Teach-in and IO-Link
- connector M8 4 pin
- -10 ... 60 °C
- IP 67



Picture similar



Technical data

General data

Type	Intensity difference
Light source	Pulsed red laser diode
Sensing distance Tw	10 ... 250 mm
Repeat accuracy	< 0,1 mm at laser focus
Power on indication	LED green
Light indicator	LED yellow
Sensing distance adjustment	Teach-in and IO-Link
Laser class	1
Distance to focus	80 mm
Wave length	656 nm
Suppression of reciprocal influence	Yes
Alignment optical axis	< 2°

Electrical data

Response time / release time	< 0,1 ms
Voltage supply range +Vs	11 ... 30 VDC
Current consumption max. (no load)	30 mA

Electrical data

Current consumption typ.	25 mA
Voltage drop Vd	< 2,5 VDC
Output function	Light / dark operate
Output circuit	Push-pull
Output current	< 100 mA
Short circuit protection	Yes
Reverse polarity protection	Yes

Mechanical data

Width / diameter	12,9 mm
Height / length	32,3 mm
Depth	23 mm
Type	Rectangular
Housing material	Plastic (ASA, PMMA)
Front (optics)	PMMA
Connection types	Connector M8 4 pin

Ambient conditions

Operating temperature	-10 ... +60 °C
Protection class	IP 67

Remarks

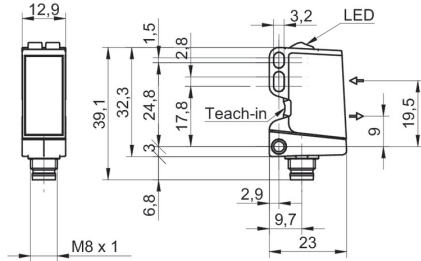
- qTeach
- IO-Link: V1.1, filter functions, qTeach lock adjustable

O300.ZL-GW1J.72N

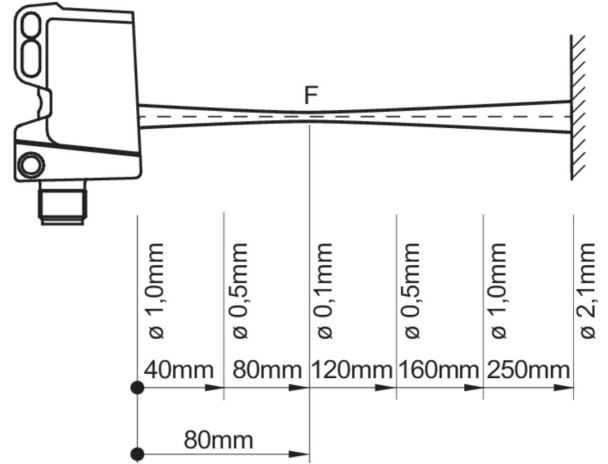
Diffuse sensors with intensity difference

Article number: 11176840

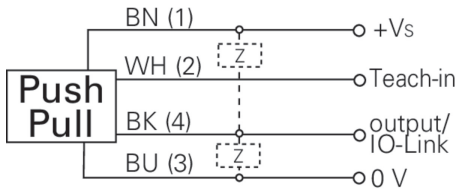
Dimension drawing



Beam characteristic (typically)



Connection diagram

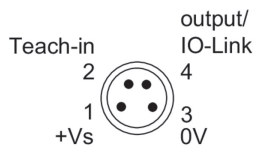


Laser warning

**CLASS 1 LASER
PRODUCT**

IEC 60825-1/2014
Complies with 21 CFR 1040.10 and 1040.11 except for conformance with IEC 60825-1 Ed. 3., as described in Laser Notice No. 56, dated May 8, 2019

Pin assignment



Relative receiving signal

