

Overview

- retro-reflective sensor
- 5,5 m
- pulsed PinPoint LED
- push-pull
- Teach-in and IO-Link
- cable 4 pin, 2 m
- -25 ... 60 °C
- IP 68/69K & proTect+



Picture similar



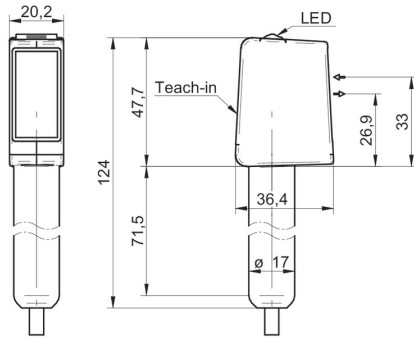
Technical data

General data		Electrical data	
Type	Retro-reflective sensor	Current consumption max. (no load)	35 mA
Special type	Hygienic design	Current consumption typ.	30 mA
Version	Transparency object detection	Voltage drop Vd	< 3 VDC
Light source	Pulsed PinPoint LED	Output function	Light / dark operate
Actual range Sb	5,5 m	Output circuit	Push-pull
Nominal range Sn	6 m	Output current	< 100 mA
Polarization filter	Yes	Short circuit protection	Yes
Minimal signal attenuation	10 % / 20 % / 30 %	Reverse polarity protection	Yes
Light indicator	LED yellow	Mechanical data	
Power on indication	LED green	Width / diameter	20,2 mm
Sensitivity adjustment	Teach-in and IO-Link	Height / length	47,7 mm
Wave length	630 nm	Depth	36,4 mm
Suppression of reciprocal influence	Yes	Type	Rectangular
Alignment optical axis	< 1°	Housing material	Stainless steel 1.4404 (V4A)
Approvals/certificates	Ecolab	Front (optics)	PMMA
Electrical data		Connection types	Cable 4 pin, 2 m
Response time / release time	< 0,25 ms	Ambient conditions	
Voltage supply range +Vs	10 ... 30 VDC	Operating temperature	-25 ... +60 °C
		Protection class	IP 68/69K & proTect+

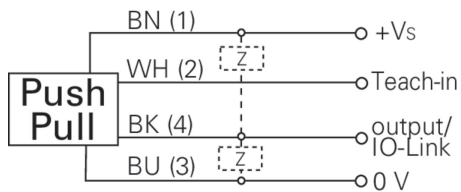
Remarks

- Magnetic Teach
- IO-Link: V1.1, filter functions, qTeach lock adjustable
- Signal attenuation adjustable

Dimension drawing



Connection diagram



Beam characteristic (typically)

