

Overview

- emitter
- through beam sensor
- 40 m
- pulsed red laser diode
- cable 4 pin, 2 m
- -10 ... 60 °C
- IP 68/69K & proTect+



Picture similar



Technical data

General data

Type	Through beam sensor
Special type	Hygienic design
Emitter / receiver	Emitter
Light source	Pulsed red laser diode
Actual range Sb	40 m
Nominal range Sn	75 m
Power on indication	LED green
Laser class	1
Distance to focus	Parallel beam
Wave length	656 nm
Alignment optical axis	< 2°
Approvals/certificates	Ecolab

Electrical data

Voltage supply range +Vs	11 ... 30 VDC
--------------------------	---------------

Electrical data

Current consumption max. (no load)	30 mA
Current consumption typ.	25 mA
Reverse polarity protection	Yes

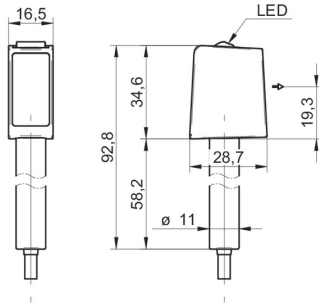
Mechanical data

Width / diameter	16,5 mm
Height / length	34,6 mm
Depth	28,7 mm
Type	Rectangular
Housing material	Stainless steel 1.4404 (V4A)
Front (optics)	PMMA
Connection types	Cable 4 pin, 2 m

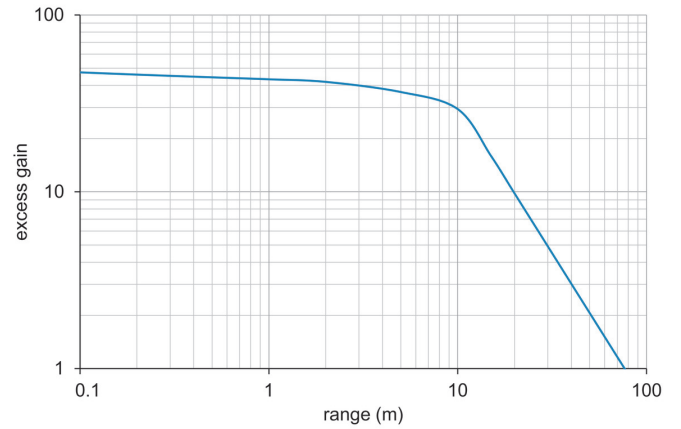
Ambient conditions

Operating temperature	-10 ... +60 °C
Protection class	IP 68/69K & proTect+

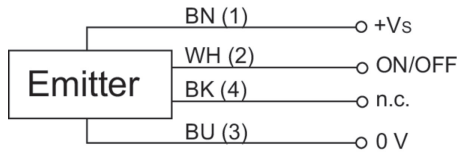
Dimension drawing



Excess gain curve



Connection diagram



Laser warning

CLASS 1 LASER PRODUCT

IEC 60825-1/2014
Complies with 21 CFR 1040.10 and 1040.11 except for conformance with IEC 60825-1 Ed. 3., as described in Laser Notice No. 56, dated May 8, 2019

Beam characteristic (typically)

