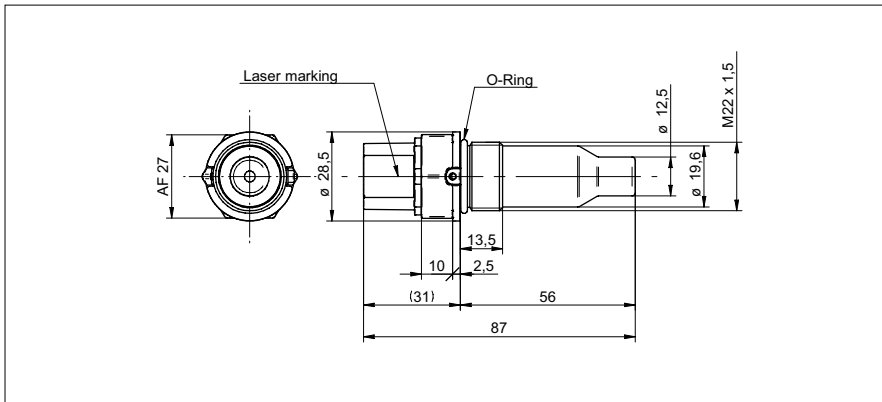


Frequency sweep sensors

CFAK 22U9500/AMP

dimension drawing



- point level detection
- easy system integration with O-Ring port
- hermetically sealed housing
- reliable warnings even if oil sticks to sensor
- less false warnings
- EMC: Emission/Susceptibility based on UN/ECE R10 Rev. 5 ch. 6.8 (no ESA type approval)

general data

special type	liquid level sensor for oil
mounting type	non-flush
version	adhesion resistant
measurement type	contact with medium
approvals/certificates	EN 60947-5-2 / EN 60947-5-7 EN ISO 14982:2009 ISO 15003:2006, Sec 5.13 ISO 13766:2006-05 EN 13309:2010

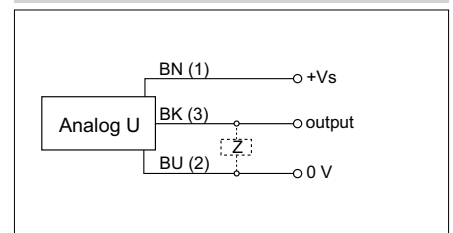
photo



electrical data

voltage supply range +Vs	4,75 ... 5,25 VDC
current consumption max. (no load)	42 mA
current consumption typ.	10 mA
output circuit	voltage output
output state	in air 2,75 ... 3,25 V in liquid 1,25 ... 1,75 V fault 0,50 ... 1,00 V
typ. response time	< 1000 ms
load resistance	≥ 930 Ohm
capacitive load	< 200 nF
short circuit protection	yes
reverse polarity protection	no

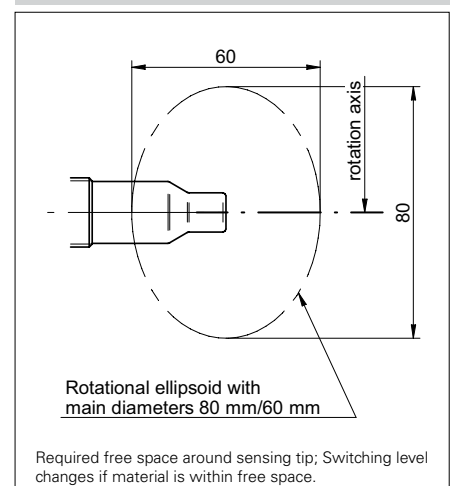
connection diagram



mechanical data

type	cylindrical threaded
housing material	PA 10T/X
dimension	22 mm
housing length	87 mm
connection types	connector AMPSEAL 16 3 pin
tightening torque max.	14 Nm (min. 10 Nm)
fluid port	O-Ring port M22 x 1,5 (ISO 6149-1)

installation instructions



Frequency sweep sensors**CFAK 22U9500/AMP****field of application**

detection of non-conductive media	no
fill level detection through container	no
liquids in direct contact	yes
object detection / bulk goods	no



- for electrically conductive container with mating surface at fluid port