

IWRM 12Z8704/S14C

Inductive distance sensors - linearized

Article number: 10144963

Overview

- 0 ... 4 mm
- voltage output / PNP
- external Teach-in
- connector M12
- -10 ... 70 °C
- IP 67



Picture similar



Technical data

General data		Electrical data	
Mounting type	Quasi-flush	Output circuit	Voltage output / PNP
Special type	2 adjust. switching points Linearized	Output signal	0 ... 10 VDC
Measuring distance Sd	0 ... 4 mm	Load resistance	> 1000 Ohm
Resolution	< 0,005 mm (stat.) < 0,005 mm (dynam.)	Output current	< 10 mA (PNP)
Repeat accuracy	< 0,01 mm	Voltage drop Vd	< 5 VDC (PNP)
Adjustment	External Teach-in	Short circuit protection	Yes
Linearity error	± 16 µm	Reverse polarity protection	Yes
Temperature drift	± 5 % (Full Scale)	Mechanical data	
Output indicator	LED red	Type	Cylindrical threaded
Teach-Feedback	LED yellow	Housing material	Brass nickel plated
Electrical data		Dimension	12 mm
Response time (factory characteristic)	< 2,5 ms	Housing length	60 mm
Response time (teach in characteristic)	< 3,1 ms	Connection types	Connector M12
Voltage supply range +Vs	15 ... 30 VDC	Tightening torque max.	15 Nm (Front: 10 Nm)
Current consumption max. (no load)	20 mA	Ambient conditions	
		Operating temperature	-10 ... +70 °C
		Protection class	IP 67

Remarks

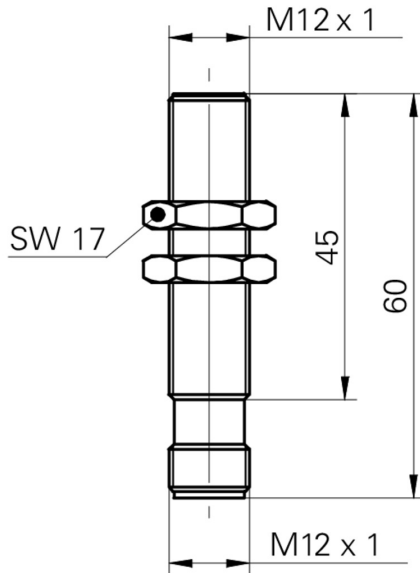
- External Teach-in
- Integrated analog- and switching output
- Linear analog output

IWRM 12Z8704/S14C

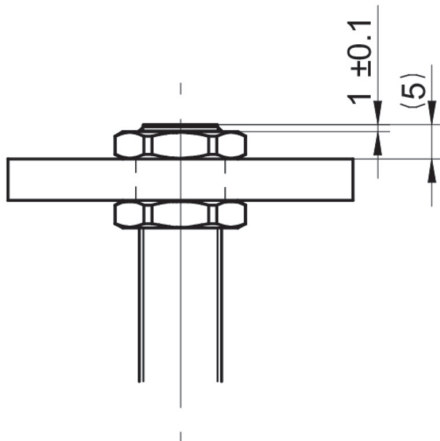
Inductive distance sensors - linearized

Article number: 10144963

Dimension drawing



Installation drawing



Connection diagram

