

## IFRM 08P17T4

Inductive sensors special versions - high temperature

Article number: 10159049

### Overview

- 2 mm
- PNP make function (NO)
- cable FEP, 1 m
- -25 ... 100 °C
- IP 67



Picture similar



### Technical data

#### General data

Mounting type	Flush
Special type	High temperature
Nominal sensing distance S <sub>n</sub>	2 mm
Temperature drift	± 10 % (-25 ... +75 °C) - 10 % / + 15 % (-25 ... +100 °C)
Hysteresis	3 ... 20 % of S <sub>r</sub>

#### Electrical data

Switching frequency	< 5 kHz
Voltage supply range +V <sub>s</sub>	6 ... 30 VDC
Current consumption max. (no load)	12 mA
Output circuit	PNP make function (NO)

#### Electrical data

Voltage drop V <sub>d</sub>	< 3 VDC
Output current	< 100 mA
Short circuit protection	Yes
Reverse polarity protection	Yes

#### Mechanical data

Type	Cylindrical threaded
Housing material	Stainless steel
Dimension	8 mm
Housing length	50 mm
Connection types	Cable FEP, 1 m

#### Ambient conditions

Operating temperature	-25 ... +100 °C
Protection class	IP 67

### Remarks

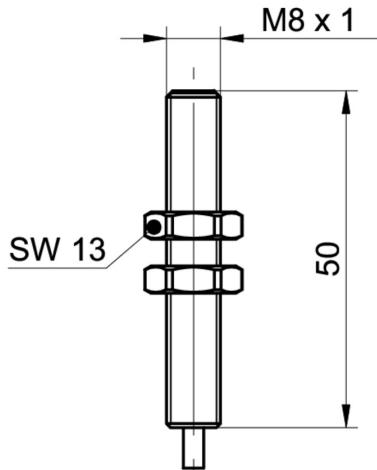
- With integral electronics of up to +100 °C

# IFRM 08P17T4

Inductive sensors special versions - high temperature

Article number: 10159049

## Dimension drawing



## Connection diagram

