

IFRM 08P37A4/L

Inductive proximity switch - miniature

Article number: 10156224

Overview

- 2 mm
- PNP break function (NC)
- cable, 2 m
- -25 ... 75 °C
- IP 67



Picture similar



Technical data

General data

| | |
|--|------------------------------|
| Mounting type | Flush |
| Nominal sensing distance S _n | 2 mm |
| Hysteresis | 3 ... 20 % of S _r |
| Output indicator | LED red |

Electrical data

| | |
|---------------------------------------|-------------------------|
| Switching frequency | < 5 kHz |
| Voltage supply range +V _s | 6 ... 36 VDC |
| Current consumption max. (no load) | 12 mA |
| Output circuit | PNP break function (NC) |
| Voltage drop V _d | < 2 VDC |
| Output current | < 200 mA |

Electrical data

| | |
|-----------------------------|-----|
| Short circuit protection | Yes |
| Reverse polarity protection | Yes |

Mechanical data

| | |
|-------------------------|----------------------|
| Type | Cylindrical threaded |
| Material (sensing face) | PBT |
| Housing material | Stainless steel |
| Dimension | 8 mm |
| Housing length | 50 mm |
| Connection types | Cable, 2 m |
| Tightening torque max. | 10 Nm (Front: 7 Nm) |

Ambient conditions

| | |
|-----------------------|----------------|
| Operating temperature | -25 ... +75 °C |
| Protection class | IP 67 |

Remarks

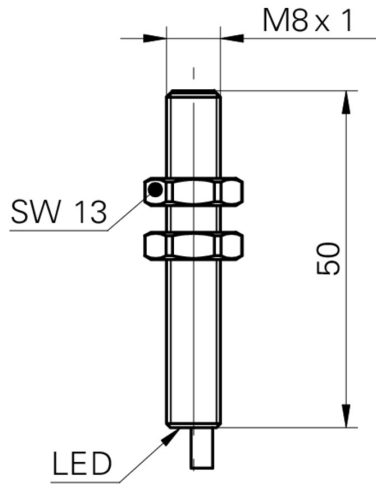
- Long robust steel housings

IFRM 08P37A4/L

Inductive proximity switch - miniature

Article number: 10156224

Dimension drawing



Connection diagram

