

Overview

- Cylindrical standard housing for versatile use
- Factor 1 - Same high distances on any metal
- Lowest serial dispersion due to end-of-line calibration
- Robust even in demanding environments
- Temperature and long-term stable switching behavior



Picture similar



Technical data

General data

Mounting type	Flush
Special type	Factor 1
Nominal sensing distance Sn	6 mm
Assured sensing distance Sa	≤ 81 % of Sn
Real sensing distance Sr	± 10 % von Sn
Temperature drift	± 10 % of Sr
Hysteresis	3 ... 20 % of Sr
Output indicator	LED red
Correction factor typ.	Mild steel 100 %, stainless steel 100 %, aluminum 100 %, copper 100 %
Reference object	Fe360 18 x 18 x 1 mm

Electrical data

Switching frequency	500 Hz
Voltage supply range +Vs	5 ... 36 VDC
Current consumption max. (no load)	12 mA
Output circuit	PNP make function (NO)
Voltage drop Vd	<2 VDC
Output current	200 mA
Short circuit protection	Yes

Electrical data

Reverse polarity protection	Yes
-----------------------------	-----

Mechanical data

Design	Cylindrical threaded
Material (sensing face)	PBT
Housing material	Brass nickel plated
Dimension	18 mm
Housing length	60 mm
Connection types	Connector M12 4 pin
Tightening torque max.	40 Nm
Weight	63 g

Ambient conditions

Operating temperature	-25 ... +75 °C
Storage temperature	-40 ... +75 °C
Protection class	IP 67
Vibration resistance	IEC 60068-2-6:2008 10 g at f = 10 - 2000 Hz, duration 150 min per axis
Shock resistance	IEC 60068-2-27:2009 100 g / 6 ms, 10 jolts per axis and direction

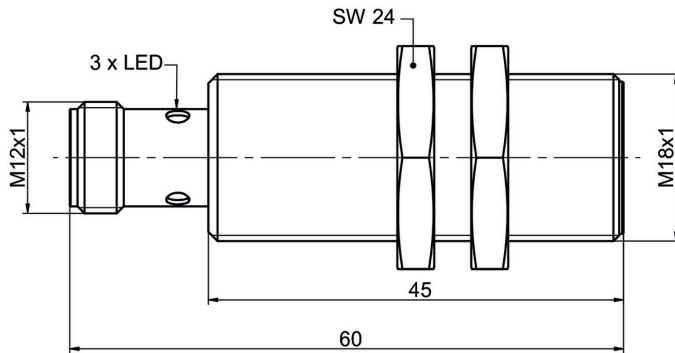
Safe maximum values

MTTF	775 years
Diagnostic coverage (DC)	0 %

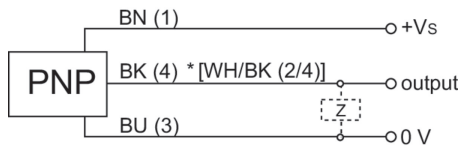
Remarks

- Same sensing distance on all metals (no reduction factor)

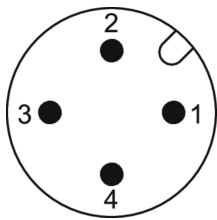
Dimension drawing



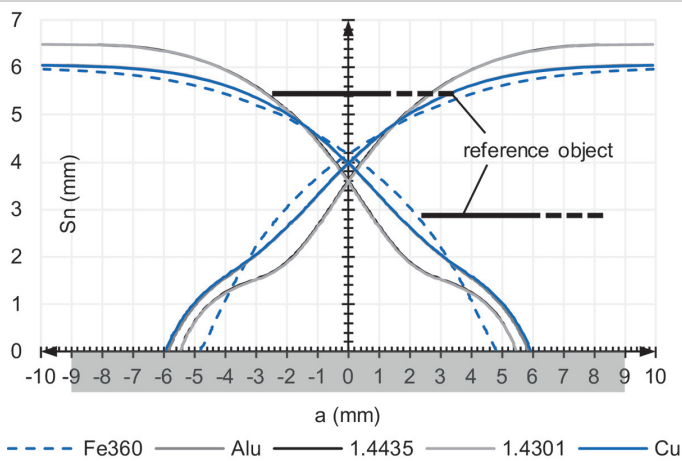
Connection diagram



Pin assignment



Response diagram



Accessories**Mounting accessories**

10151658	Sensofix series 18
11172096	ZADAP-M18.STANDARD
11171584	ZADAP-M18.SHORT
11172095	ZADAP-M18.LONG
11707685	Mounting rod with mounting plate holder 200 mm
11707686	Mounting rod with mounting plate holder 300 mm
11707688	Mounting rod 200 mm
11707697	Mounting rod 250 mm
11707698	Mounting rod with mounting plate holder 250 mm
11707687	Mounting rod 300 mm
11707699	Mounting plate series 500 and \varnothing 18 mm
11707702	Mounting base
11707703	Two-way connector