

Overview

- Cylindrical standard housing for versatile use
- Extended sensing distance for maximum reliability
- Lowest serial dispersion due to end-of-line calibration
- Robust even in demanding environments
- Temperature and long-term stable switching behavior



Picture similar



Technical data

General data

| | |
|-----------------------------|--------------------------------------------------------------------|
| Mounting type | Quasi-flush |
| Nominal sensing distance Sn | 18 mm |
| Assured sensing distance Sa | ≤ 81 % of Sn |
| Real sensing distance Sr | ± 10 % von Sn |
| Temperature drift | ± 10 % of Sr |
| Hysteresis | 3 ... 20 % of Sr |
| Output indicator | LED red |
| Correction factor typ. | Mild steel 100 %, stainless steel 85 %, aluminum 40 %, copper 35 % |
| Reference object | Fe360 54 x 54 x 1 mm |

Electrical data

| | |
|------------------------------------|-------------------|
| Switching frequency | 500 Hz |
| Voltage supply range +Vs | 6 ... 36 VDC |
| Current consumption max. (no load) | 10 mA |
| Output circuit | NPN complementary |
| Voltage drop Vd | <2 VDC |
| Output current | 200 mA |
| Short circuit protection | Yes |
| Reverse polarity protection | Yes |

Mechanical data

| | |
|-------------------------|----------------------|
| Design | Cylindrical threaded |
| Material (sensing face) | PBT |

Mechanical data

| | |
|------------------------|---------------------|
| Housing material | Brass nickel plated |
| Dimension | 30 mm |
| Housing length | 50 mm |
| Connection types | Cable, L=2 m |
| Tightening torque max. | 140 Nm |
| Weight | 249 g |

Ambient conditions

| | |
|-----------------------|------------------------------------------------------------------------|
| Operating temperature | -25 ... +75 °C |
| Storage temperature | -25 ... +75 °C |
| Protection class | IP 67 |
| Vibration resistance | IEC 60068-2-6:2008 10 g at f = 10 - 2000 Hz, duration 150 min per axis |
| Shock resistance | IEC 60068-2-27:2009 100 g / 6 ms, 10 jolts per axis and direction |

Safe maximum values

| | |
|--------------------------|-----------|
| MTTF | 954 years |
| Diagnostic coverage (DC) | 0 % |

Cable

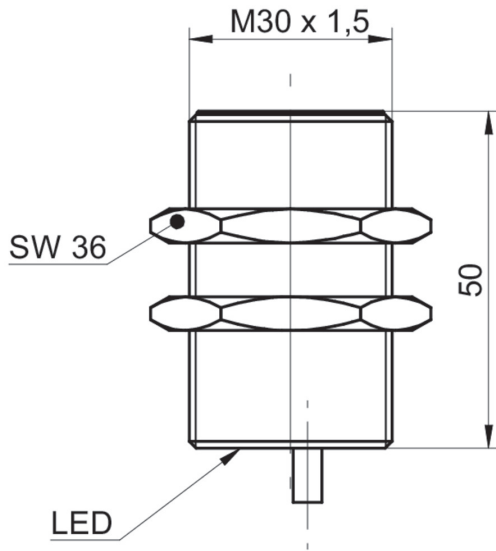
| | |
|---------------------------|----------------------|
| Cable length | 200 cm |
| Shielded | No |
| External sheath: Material | PVC |
| Cable diameter | 4.6 mm |
| Wire cross section | 0.25 mm ² |
| Insulation: Material | PVC |
| Bending radius (fixed) | 3 × outer diameter |

Technical data

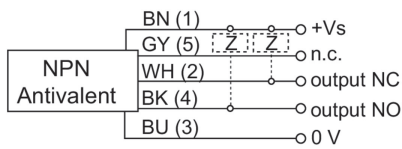
Cable

Bending radius (mobile) 10 × outer diameter

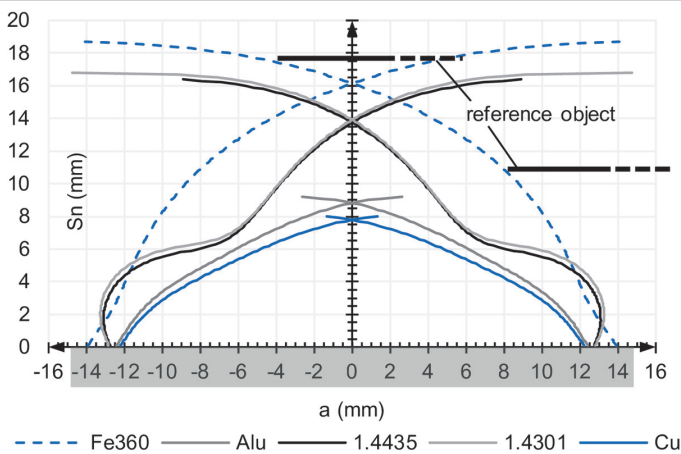
Dimension drawing



Connection diagram



Response diagram



Accessories**Mounting accessories**

| | |
|----------|---------------------------------------------------|
| 11200030 | 11200030 |
| 11199998 | ZADAP-M30.STANDARD |
| 11199999 | ZADAP-M30.LONG |
| 11707685 | Mounting rod with mounting plate holder 200 mm |
| 11707686 | Mounting rod with mounting plate holder 300 mm |
| 11707688 | Mounting rod 200 mm |
| 11707697 | Mounting rod 250 mm |
| 11707698 | Mounting rod with mounting plate holder 250 mm |
| 11707687 | Mounting rod 300 mm |
| 11707700 | Mounting plate ø30 mm |
| 11707702 | Mounting base |
| 11707703 | Two-way connector |