

**Overview**

- Cylindrical miniature housing for limited installation space
- Extended switching distance for maximum reliability
- Lowest serial dispersion due to end-of-line calibration
- Robust even in demanding environments
- Temperature and long-term stable switching behavior
- PUR cable with high chemical resistance



Picture similar



**Technical data**

General data		Mechanical data	
Mounting type	Flush	Material (sensing face)	POM
Nominal sensing distance Sn	1 mm	Housing material	Stainless steel (V2A)
Assured sensing distance Sa	≤ 81 % of Sn	Dimension	3 mm
Real sensing distance Sr	± 10 % von Sn	Housing length	16 mm
Temperature drift	- 5 % / + 10 % (+10 ... +60 °C) - 5 % / + 15 % (-10 ... +70 °C)	Connection types	Flylead connector M8 3 pin
Hysteresis	2 ... 20 % of Sr	Weight	7 g
Output indicator	LED red	<b>Ambient conditions</b>	
Correction factor typ.	Mild steel 100 %, stainless steel 70 %, aluminum 45 %, copper 35 %	Operating temperature	-10 ... +75 °C
Reference object	Fe360 3 x 3 x 1 mm	Storage temperature	-25 ... +75 °C
<b>Electrical data</b>		Protection class	IP 67
Switching frequency	4 kHz	Vibration resistance	IEC 60068-2-6:2008 10 g at f = 10 - 2000 Hz, duration 150 min per axis
Voltage supply range +Vs	6 ... 30 VDC	Shock resistance	IEC 60068-2-27:2009 100 g / 6 ms, 10 jolts per axis and direction
Current consumption max. (no load)	10 mA	<b>Safe maximum values</b>	
Output circuit	NPN break function (NC)	MTTF	1437 years
Voltage drop Vd	<2 VDC	Diagnostic coverage (DC)	0 %
Output current	100 mA	<b>Cable</b>	
Short circuit protection	Yes	Head A: Connection	M8
Reverse polarity protection	Yes	Head A: Gender	Male
<b>Mechanical data</b>		Head A: Angle cable outlet	0°
Design	Cylindrical smooth	Head A: Coding	A
		Head A: No. of poles	3
		Head A: LED	No

## Technical data

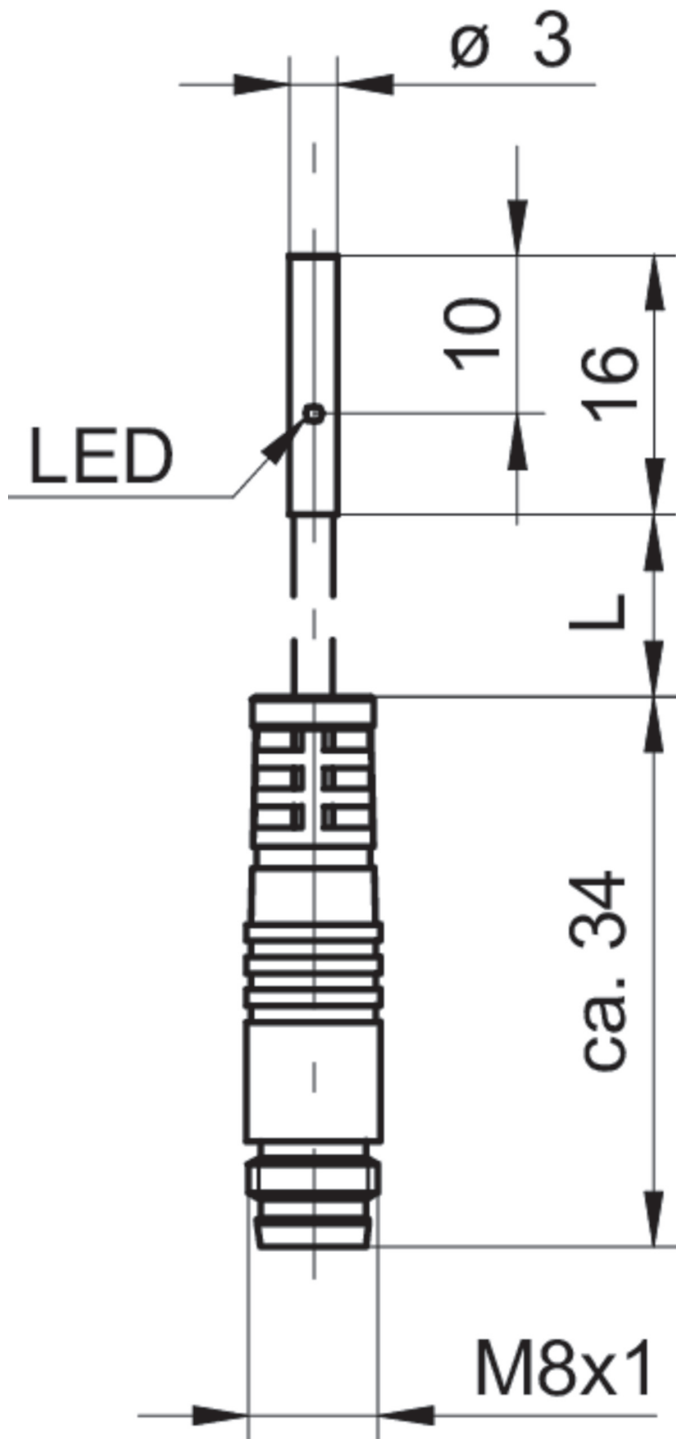
### Cable

Head A: Knurled nut material	Brass, surface Ni
Cable length	20 cm
Shielded	No
External sheath: Material	PUR
Cable diameter	2.4 mm

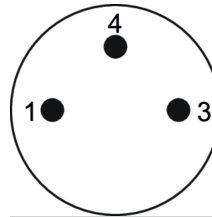
### Cable

Wire cross section	0.08 mm <sup>2</sup>
Insulation: Material	PP
Bending radius (fixed)	3 × outer diameter
Bending radius (mobile)	10 × outer diameter

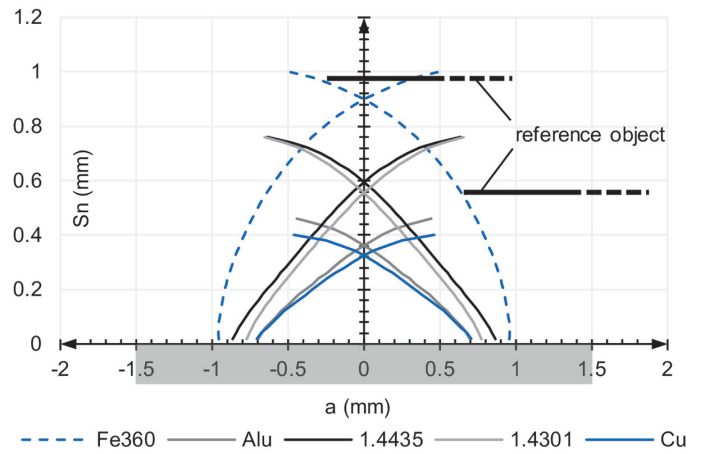
**Dimension drawing**



**Pin assignment**



**Response diagram**



**Accessories**

**Mounting accessories**

10137021

10137021

**Connection diagram**

