

Overview

- Cylindrical standard housing for versatile use
- Lowest serial dispersion due to end-of-line calibration
- Robust even in demanding environments
- Temperature and long-term stable switching behavior



Picture similar



Technical data

General data		Mechanical data	
Mounting type	Flush	Housing material	Brass nickel plated
Nominal sensing distance Sn	15 mm	Dimension	30 mm
Assured sensing distance Sa	≤ 81 % of Sn	Housing length	50 mm
Real sensing distance Sr	± 10 % von Sn	Connection types	Cable, L=2 m
Temperature drift	± 10 % of Sr	Tightening torque max.	140 Nm
Hysteresis	3 ... 20 % of Sr	Weight	219 g
Output indicator	LED red	Ambient conditions	
Correction factor typ.	Mild steel 100 %, stainless steel 90 %, aluminum 55 %, copper 50 %	Operating temperature	-25 ... +75 °C
Reference object	Fe360 45 x 45 x 1 mm	Storage temperature	-25 ... +75 °C
Electrical data		Protection class	IP 67
Switching frequency	400 Hz	Vibration resistance	IEC 60068-2-6:2008 10 g at f = 10 - 2000 Hz, duration 150 min per axis
Voltage supply range +Vs	6 ... 36 VDC	Shock resistance	IEC 60068-2-27:2009 100 g / 6 ms, 10 jolts per axis and direction
Current consumption max. (no load)	10 mA	Safe maximum values	
Output circuit	PNP make function (NO)	MTTF	2252 years
Voltage drop Vd	<2 VDC	Diagnostic coverage (DC)	0 %
Output current	200 mA	Cable	
Short circuit protection	Yes	Cable length	200 cm
Reverse polarity protection	Yes	Shielded	No
Mechanical data		External sheath: Material	PVC
Design	Cylindrical threaded	Cable diameter	4.2 mm
Material (sensing face)	PBT	Wire cross section	0.25 mm ²
		Insulation: Material	PVC
		Bending radius (fixed)	5 × outer diameter

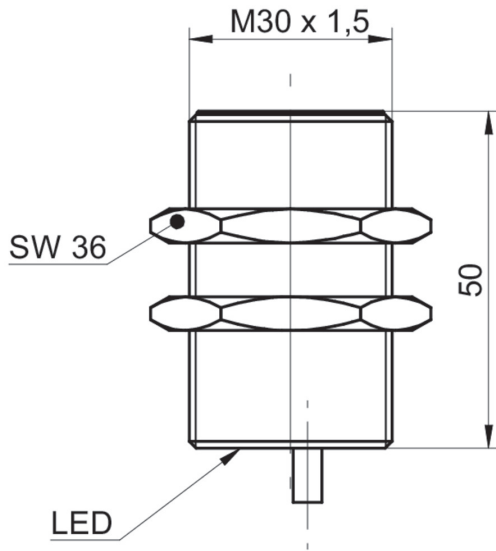
The product features and technical data specified do not express or imply any warranty. Technical modifications subject to change.

Technical data

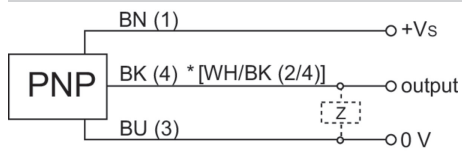
Cable

Bending radius (mobile) 10 × outer diameter

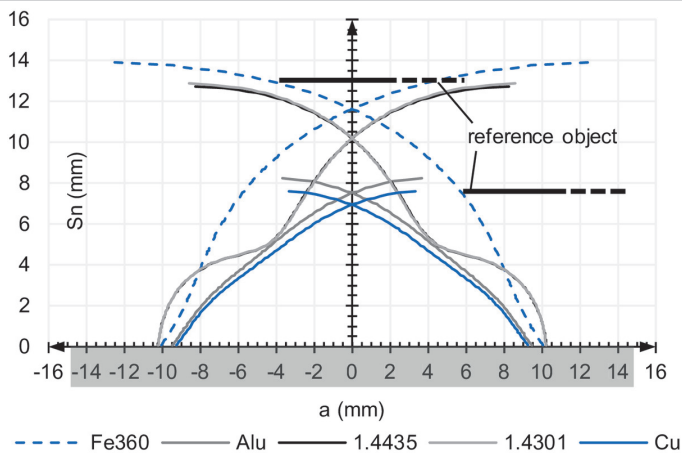
Dimension drawing



Connection diagram



Response diagram



Accessories**Mounting accessories**

11200030	11200030
11199998	ZADAP-M30.STANDARD
11199999	ZADAP-M30.LONG
11707685	Mounting rod with mounting plate holder 200 mm
11707686	Mounting rod with mounting plate holder 300 mm
11707688	Mounting rod 200 mm
11707697	Mounting rod 250 mm
11707698	Mounting rod with mounting plate holder 250 mm
11707687	Mounting rod 300 mm
11707700	Mounting plate ø30 mm
11707702	Mounting base
11707703	Two-way connector